



# 815 series concealed drawer slides for face frame cabinets

The perfect balance of performance and reliability, the 815 series provides the maximum undermount value on the market today.

A favorite of cabinet makers who are looking for a concealed slide without sacrificing functionality and performance. Soft-close technology, height drawer front adjustment, plus a **80 lb (35 kg) load capacity** make the 815 series a perfect option for cabinet makers everywhere.

- Telescopic movement
- Suitable for wood drawers only
- Elegantly concealed underneath the drawer bottom
- Large width provides superior stability between cabinet and drawer
- Automatic soft-closing mechanism allows a progressive and silent closure of the drawer
- Easy opening with a low pull-out force requirement
- Full extension slide allows a complete access to drawer content

## Page reference

ORGANIZ-R drawer storage system

38

# 815 series concealed undermount drawer slides for face frame cabinets

Outstanding design and quality.

The right choice in a medium-duty slide, the 815 series delivers an ultra-smooth slide operation and soft-close dampening effect. The 2-way tool-free locking device (sold separately) ensures enhanced comfort and movement without annoying sounds or resistance.

- Telescopic movement
- Comprehensive line-up for a wide range of drawer sizes
- 80 lb (35 kg) load capacity
- 2-way tool-free height adjustment

## 1 Full extension concealed undermount slides with soft-close

Length		815 series
Met.	Imp.	
229 mm	9"	815229
305 mm	12"	815305
381 mm	15"	815381
457 mm	18"	815457
533 mm	21"	815533

Qty/box: 6 pairs



## 2 Rear mounting brackets

For mounting drawer slides to the back panel. Designed for Richelieu's 815 and 825 series drawer slides 12" - 21" (305 - 533 mm) in length.

- Provides drawer slide stability
- Non-handed design
- 2 brackets required per drawer



No. 8082G  
Qty/box: 2

## 3 Locking devices for 815 series drawer slides

Locking devices for automatic latching, easy release for drawer removal, and tool-free height adjustment.

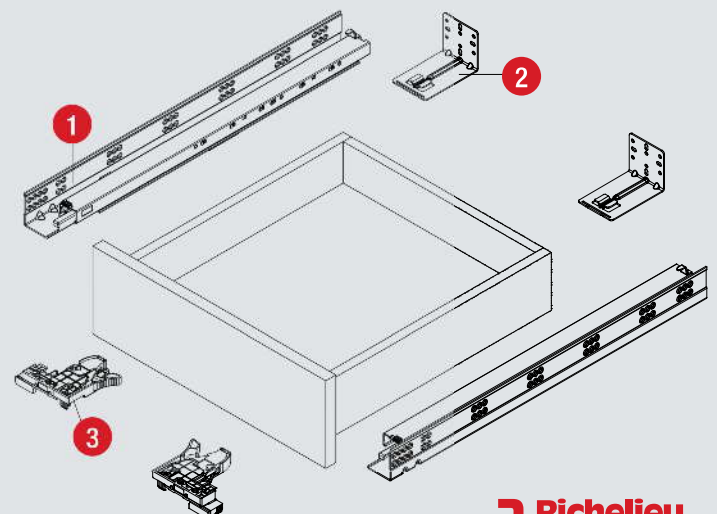
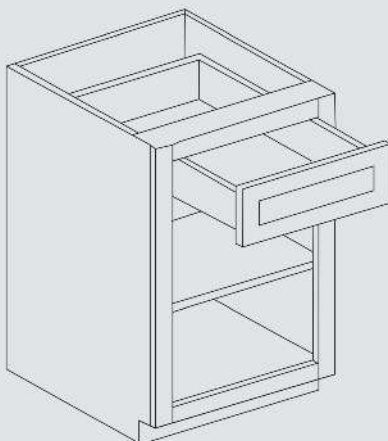
Side	2-way adjustment
Right side	78802
Left side	78803

Qty/box: 10



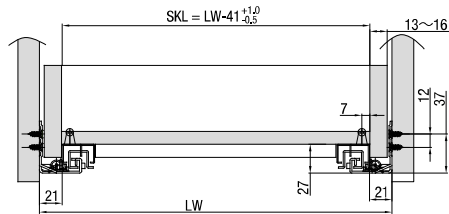
## Components

Face frame cabinets

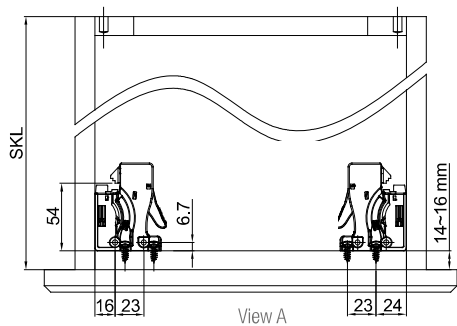


# 815 series drawer slides for face frame cabinets - Installation dimensions

## Drawer Width

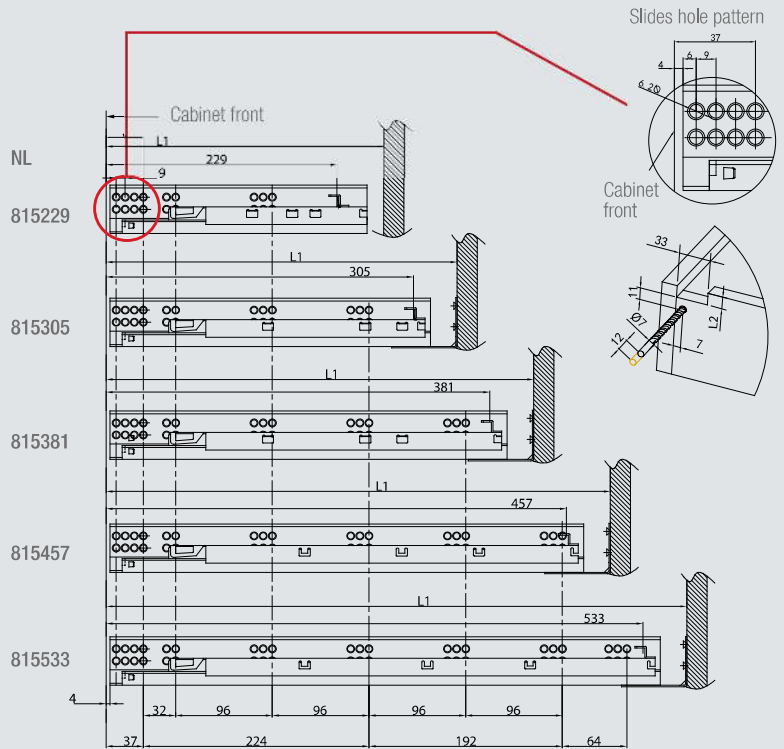
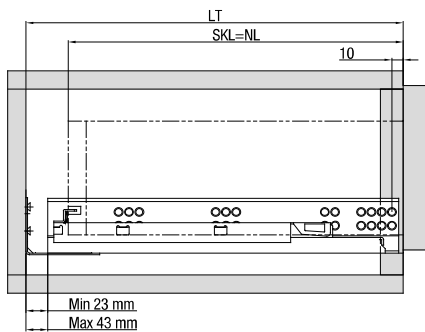


## Locking device mounting



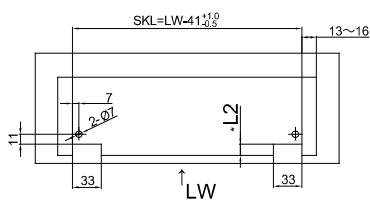
Locking devices:  
No. 78802  
No. 78803

## Drawer vs. cabinet depth

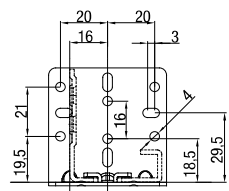


No	815229	815305	815381	815457	815533
Nominal slide length (NL)	229 mm	305 mm	381 mm	457 mm	533 mm
Drawer length (SKL)	209 mm	305 mm	381 mm	457 mm	533 mm
Internal cabinet depth (min) (LT)	275 mm	343 mm	416 mm	494 mm	568 mm
Internal cabinet depth (max) (LT)	-	363 mm	436 mm	514 mm	588 mm

## Drawer back drilling and notching



## Rear bracket mounting No. 8082G



NL: Nominal slide length • LT: Internal cabinet depth • LW: Internal cabinet width • SKL: Drawer length • SKW: Internal drawer width